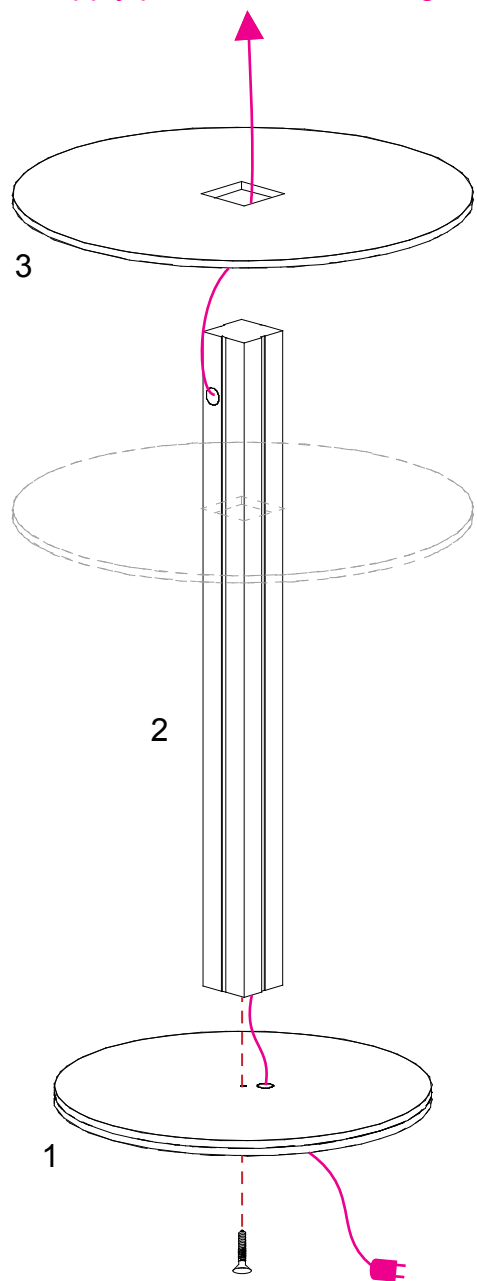


Item	Qty.	Description
1	1	Base Plate
2	1	43.5"h Vertical Extrusion
3	1	Counter Bottom
4	4	12"w Z45 Horizontal Extrusion
5/5A	1/1	20"w Horizontal Extrusion
6/6A	1/1	30"h Vertical Extrusion

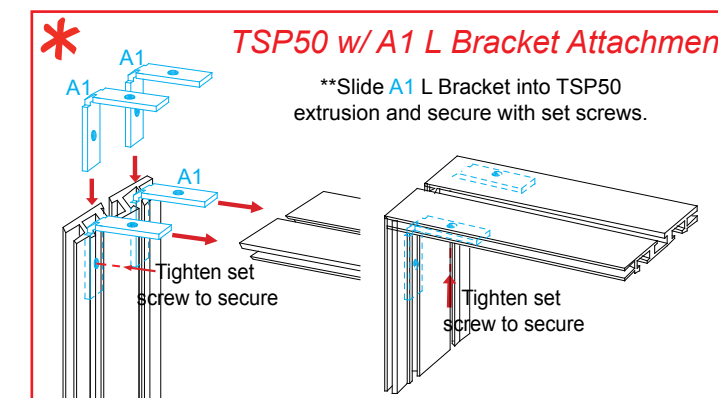
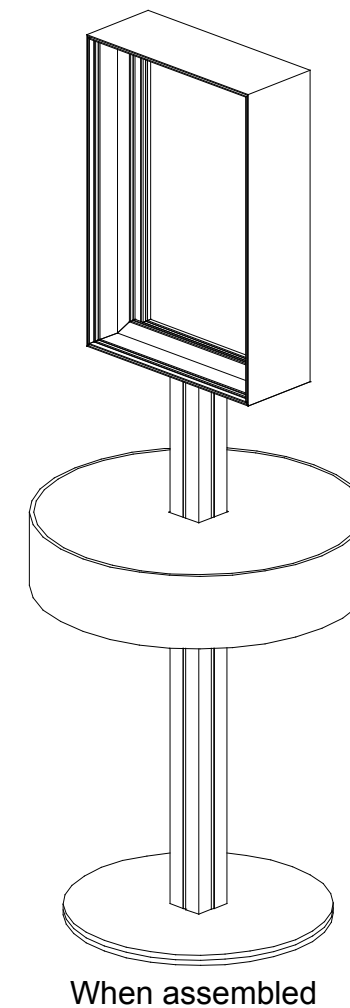
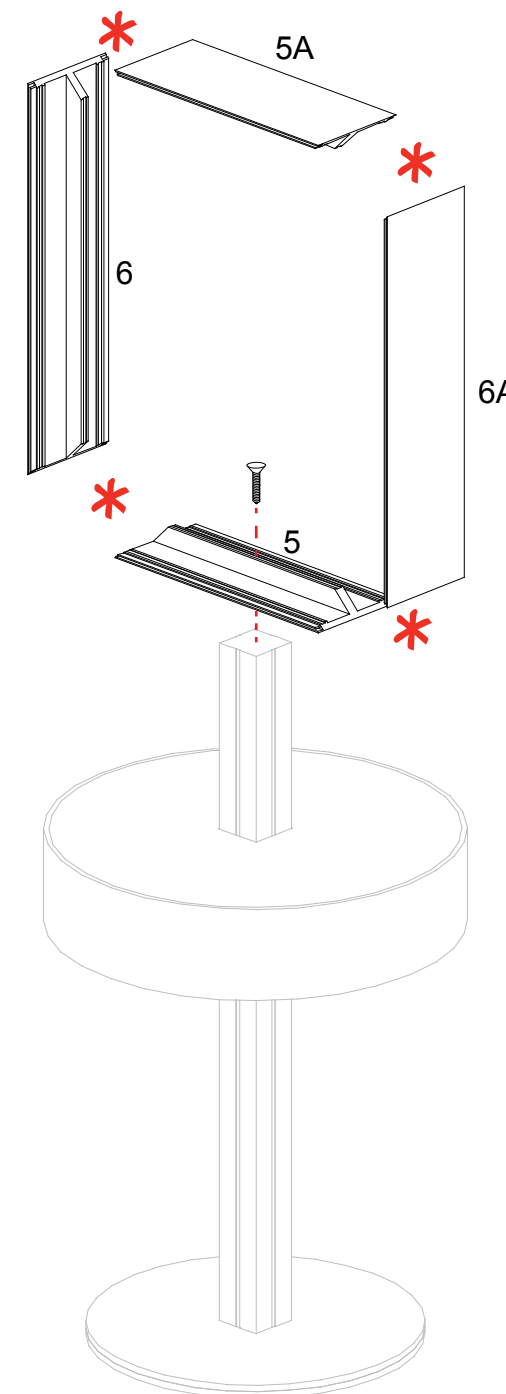
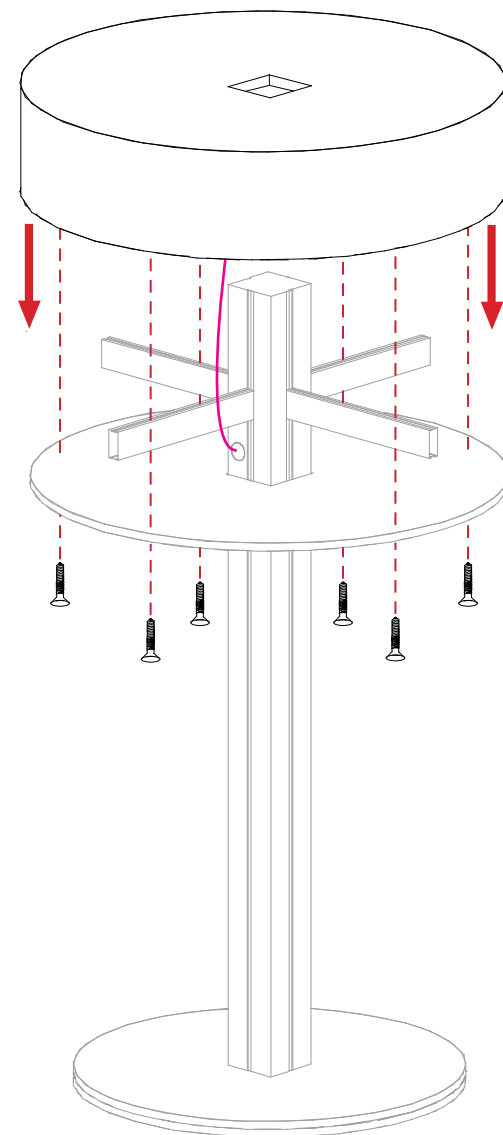
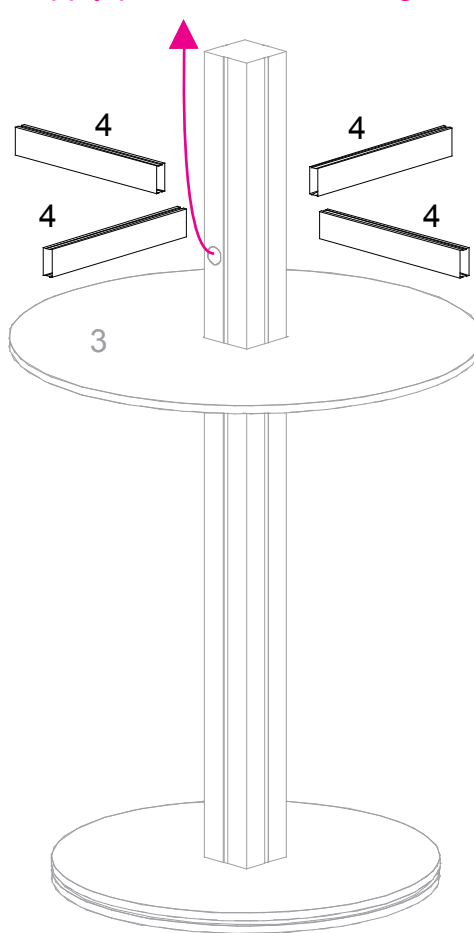
- Steps:
- 1) Attach base plate [1] to vertical extrusion [2].
  - 2) Slide Counter Bottom [3] over vertical [2].  
**NOTE:** The counter bottom will be "free floating" until counter top is attached.
  - 3) Connect horizontals [4] to vertical [2].
  - 4) Place counter top on assembled pedestal base; attach to [3] using bolts provided
  - 5) Attach horizontal extrusion [5] to vertical [2].
  - 6) Connect vertical extrusions [6] & [6A] to lower horizontal [5].
  - 7) Attach upper horizontal [5A] to lower frame assembly.
  - 8) Plug power cord into power source.



Plugs into inside of counter to supply power for USB chargers.



Plugs into inside of counter to supply power for USB chargers.



WHEN DISASSEMBLING ALUMINUM EXTRUSION, TIGHTEN ALL SETSCREWS AND LOCKS TO PREVENT LOSS DURING SHIPPING